

Midi Horns and Sirens / Horn for bracket mounting 574/575

**Signal horn WM Contin. tone 115-230VAC G**

Part No.: 574.000.60

**MECHANICAL DATA**

Height	340 mm
Diameter	134 mm
Materials	PC/ABS
Housing colour	Gray
Protection category	IP65
Connection	Screw terminals
cross-sectional area maximum	1,50mm <sup>2</sup> / 16AWG
Cable entry	Membrane grommet
Cable entry minimum	d = 1 mm
Cable entry maximum	d = 13 mm
Type of fixing	Wall mounting
Service life optical	5,000 h minimum
Acoustic service life	5,000 h minimum
Working temperature minimum	-30°C
Working temperature maximum	+50°C
Weight with packaging	660 g
Product weight	540 g

**ELECTRICAL DATA**

Operating voltage	115-230V
Operating voltage type	AC
Rated operational current	30 mA
Rated inrush current	200 mA

**ACUSTICAL DATA**

Volume/dB(max) at 1m distance	108 dB(A)
Acoustic signal image	Continuous tone
Audio frequency	110 Hz

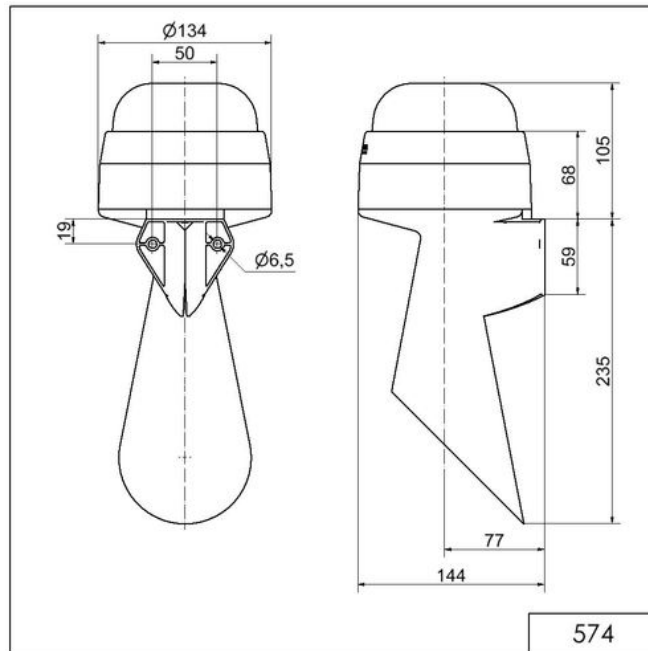


For additional installation and mounting information, refer to the appropriate user guide at [www.werma.com](http://www.werma.com). This printed copy is for information only and is subject to alteration.

Midi Horns and Sirens / Horn for bracket mounting 574/575

**Signal horn WM Contin. tone 115-230VAC G**

**DRAWING**



For additional installation and mounting information, refer to the appropriate user guide at [www.werma.com](http://www.werma.com). This printed copy is for information only and is subject to alteration.